

Product Information Sheet

COMMISSION DELEGATED REGULATION (EU) 2019/2015 with regard to energy labelling of light sources

Supplier's name or trade mark: Source

Supplier's address: SGD, Unit 7/8 Ashbourne Business Centre Ballybin Road Ashbourne Co. Meath Ireland A84YP58

Model identifier: SPVC 25W DIM-CCT

Type of light source:

Lighting technology used:	LED	Non-directional or directional:	NDLS
Light source cap-type (or other electric interface)	other electric interface		
Mains or non-mains:	NMLS	Connected light source (CLS):	No
Colour-tuneable light source:	No	Envelope:	-
High luminance light source:	No		
Anti-glare shield:	No	Dimmable:	Yes

Product parameters

Parameter	Value	Parameter	Value
-----------	-------	-----------	-------

General product parameters:

Energy consumption in on-mode (kWh/1000 h), rounded up to the nearest integer	25	Energy efficiency class	F
Useful luminous flux (ϕ_{use}), indicating if it refers to the flux in a sphere (360°), in a wide cone (120°) or in a narrow cone (90°)	2 680 in Sphere (360°)	Correlated colour temperature, rounded to the nearest 100 K, or the range of correlated colour temperatures, rounded to the nearest 100 K, that can be set	3 000 or 4 000 or 5 700
On-mode power (P_{on}), expressed in W	25,0	Standby power (P_{sb}), expressed in W and rounded to the second decimal	0,50
Networked standby power (P_{net}) for CLS, expressed in W and rounded to the second decimal	-	Colour rendering index, rounded to the nearest integer, or the range of CRI-values that can be set	84
Outer dimensions without separate control gear, light-	Height	84	Spectral power distribution in the range 250 nm to 800 nm, at full-load
	Width	244	
	Depth	198	
			See image in last page

ing control parts and non-lighting control parts, if any (millimetre)			
Claim of equivalent power ^(a)	-	If yes, equivalent power (W)	-
		Chromaticity coordinates (x and y)	0,329 0,342
Parameters for LED and OLED light sources:			
R9 colour rendering index value	0	Survival factor	1,00
the lumen maintenance factor	1,00		

(a) : not applicable;

(b) : not applicable;



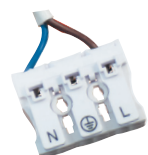
25W LED DOWNLIGHT INSTALLATION INSTRUCTIONS

Product Code: SPVC 25W DIM-CCT

Description:

Our SPVC range of downlighters are made of the highest quality materials ensuring a durable, decorative and corrosion resistant downlight.

Good thermal management ensures that the LED will work smoothly. The optical lens design ensures soft and even light, instant light with no flickering or glaring. Source SPVC downlighters are widely used in both Commercial and Domestic projects.

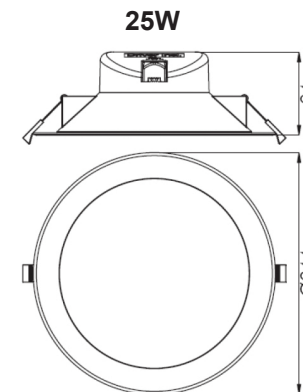


Quick Wire Connector



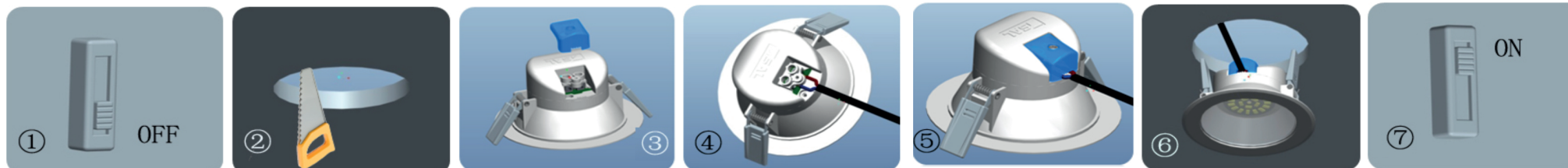
Notes

- The fitting must be installed and maintained by a qualified electrician
- The product must be ceiling mounted
- Do not install near high temperatures
- Leave 75mm space around the fitting for ventilation
- Do not cover light
- Store at room temperature in a dry environment
- This downlight is Dimmable



Installation

- Pic 1: Turn off power
 Pic 2: Drill suitable mounting hole in ceiling according to cutout size indicated for product
 Pic 3: Use switch to select desired temperature
 Pic 4: Open the hatch at the back of the fitting with a philips screwdriver
 Pic 5: Connect input cable end of LED fixture to suitable power supply (220-240V) and make sure connection is correct. Ensure the two connectors are inserted into the terminal at the same time when connecting the wire to the input end of the lamp. Secure the hatch closed with the philips screwdriver
 Pic 6: Pinch both springs, then push the fitting into the cutout hole, the retention clips rebound and click automatically in place. Make sure fitting is fixed in place
 Pic 7: Ensure that the fitting is well connected and then switch on power



Technical Parameters

Product Code	SPVC 25W DIM-CCT
Input Voltage (VAC)	220-240V AC
Current (A)	0.18
Power Factor (PF)	>0.9
Power (W)	25W
Colour Temperature (CCT)	3000k, 4000k, 5700k
Luminous Flux (Lm)	2330Lm, 2450Lm, 2450Lm
Lifespan (Hour)	30000Hrs
Protection Rate	Lighting Fixture Surface IP44
Cutout (mm)	Ø195-210mm
CRI (Ra)	>80



Warning

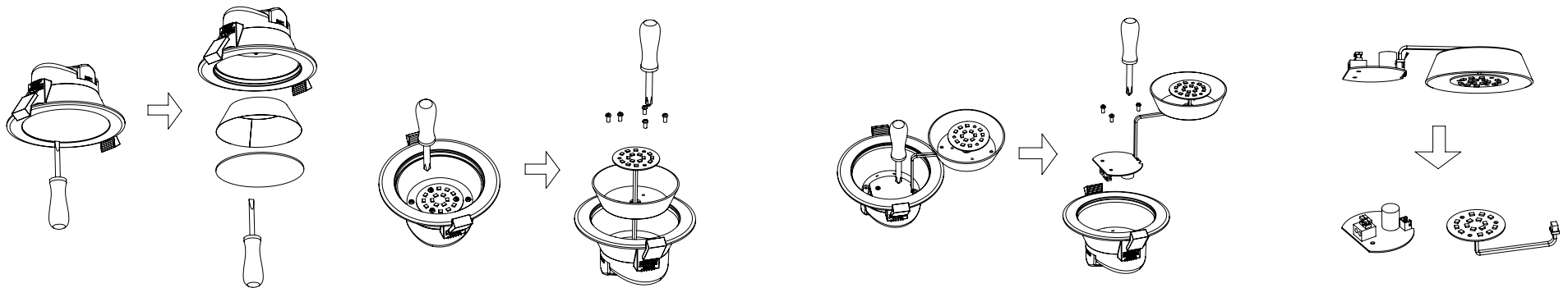
- * Power should be cut off before installation, maintenance or inspection.
- * Please install and use the light strictly according to the instruction.
- * Do not disassemble or remold the product at will to avoid accident of electric shock or light falling.
- * Working out of temp. range -20°C ~+40°C will shorten the lifetime of luminaires.



Non-Replaceable Light Source

Product end of life instruction.

This Lighting product is in the scope of EU 2019/2020 directive on Waste Electrical and Electronic Equipment (WEEE). This product must be disposed according to the legislation. This document is intended for use by end of life recyclers or treatment facilities. It provides the basic information to assure an appropriate end of life treatment for the components and materials of the product. Please follow pictured diagram showing how to dismantle the product into different components which should be disposed of correctly. These components consist of plastic, metal and electronic materials. It is the responsibility of the end user to dispose of this product correctly. www.weeeireland.ie or contact your local council for further information.



For more information contact: Unit 7/8 Ashbourne Business Centre, Ballybin Road, Ashbourne, Co. Meath, Ireland, A84 YP58,

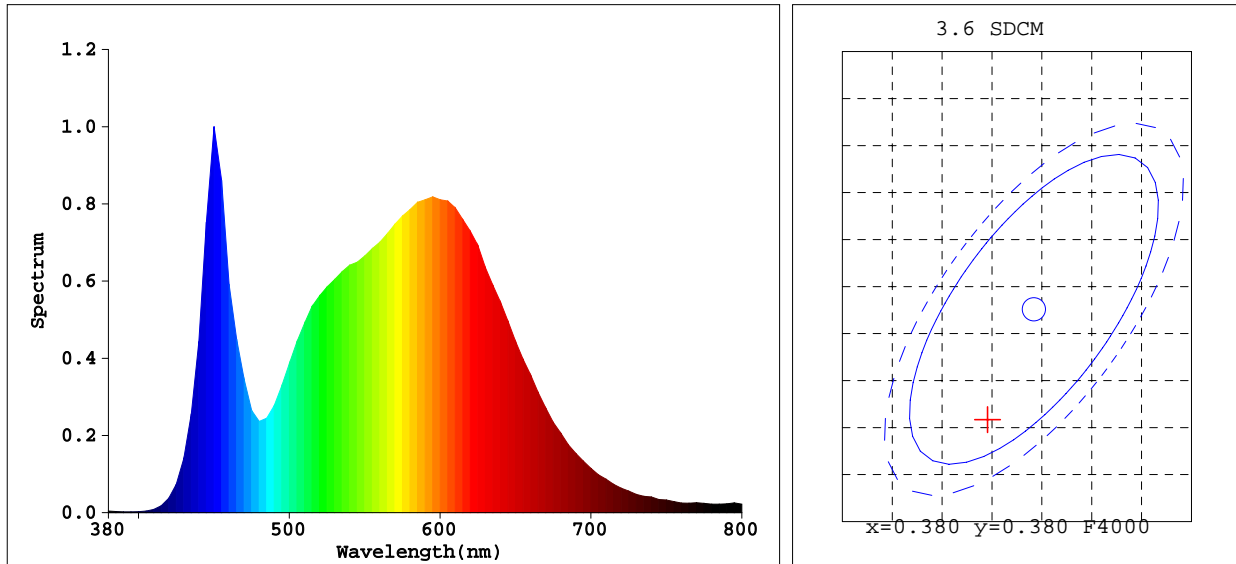
Phone: +353 1 835 7447

Website: www.sgd.ie



Solas Geal Distribution

Light Source Test Report



Color Parameters:

Chromaticity Coordinate: $x=0.3760$ $y=0.3706$
 Chromaticity Coordinate: $u'=0.2246$ $v'=0.4982$ ($duv=-1.61e-03$)
 Tc=4078K Dominant WL:Ld=579.7nm Purity=24.0% Centroid WL:569.0nm
 Ratio:R=20.0% G=76.7% B=3.3% Peak WL:Lp=450.0nm HWL:22.3nm
 Render Index:Ra=84.6
 R1 =84 R2 =90 R3 =94 R4 =84 R5 =84 R6 =85 R7 =87
 R8 =69 R9 =19 R10=75 R11=83 R12=63 R13=85 R14=97 R15=79

Photo Parameters:

Flux: 3316.1 lm Fe: 10.325 W Efficacy:163.1 lm/W

Electrical Parameters:

Luminaire: U=0V I=0A P=0W PF=1.000
 Lamp : U=75.32V I=0.2700A P=20.34W PF=1.000

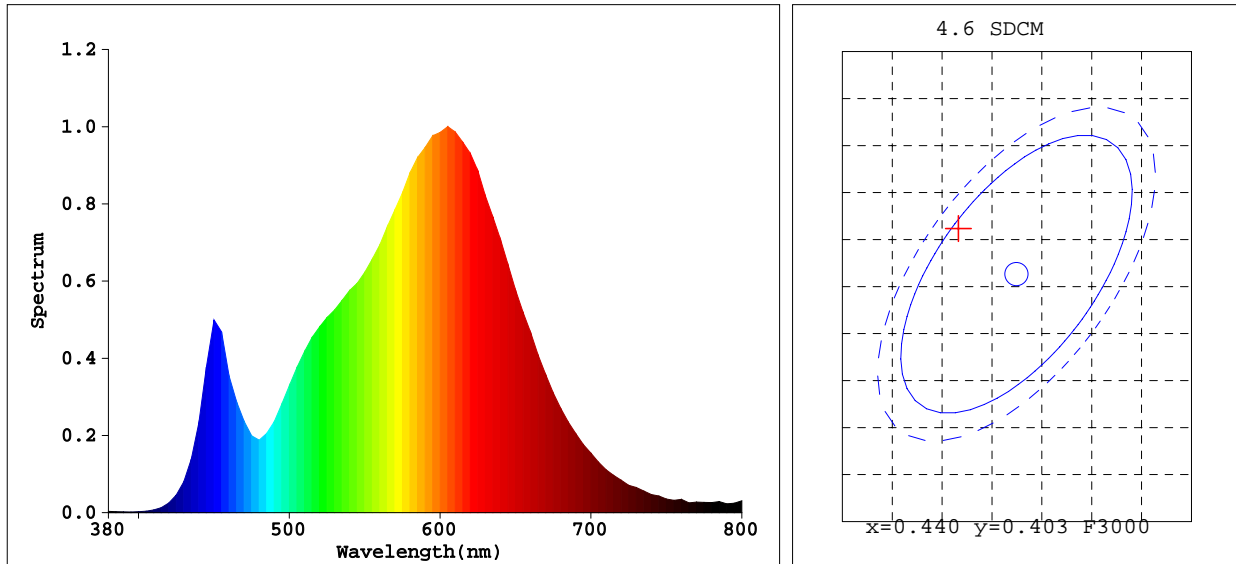
Instrument Status:

Scan Range:380.0nm-800.0nm Interval:5.0nm[0] $I_p=34111(G=5,D=58)$
 REF=35493(R=3) %=0.082% PMT: 24.9 centigrade [150.0]

Product Type:SPVC 25W
 Temperature:25 deg
 Test Operator:SGD LTD
 Software:V3.00.135

Manufacturer:SGD LTD
 Test Department:SGD LTD
 Humidity:65.0%
 Test Date:2025-06-17 19:55:17
 Instrument:PMS-80_V1 (SN:11070038)

Light Source Test Report



Color Parameters:

Chromaticity Coordinate: $x=0.4350$ $y=0.4069$
 Chromaticity Coordinate: $u'=0.2481$ $v'=0.5222$ ($duv=1.37e-03$)
 Tc=3056K Dominant WL:Ld=582.1nm Purity=52.7% Centroid WL:589.0nm
 Ratio:R=24.2% G=73.5% B=2.3% Peak WL:Lp=605.0nm HWL:132.9nm
 Render Index:Ra=82.8
 R1 =81 R2 =90 R3 =97 R4 =81 R5 =81 R6 =88 R7 =84
 R8 =60 R9 =7 R10=78 R11=81 R12=69 R13=83 R14=99 R15=73

Photo Parameters:

Flux: 2991.0 lm Fe: 9.0731 W Efficacy:140.8 lm/W

Electrical Parameters:

Luminaire: U=0V I=0A P=0W PF=1.000
 Lamp : U=78.70V I=0.2700A P=21.25W PF=1.000

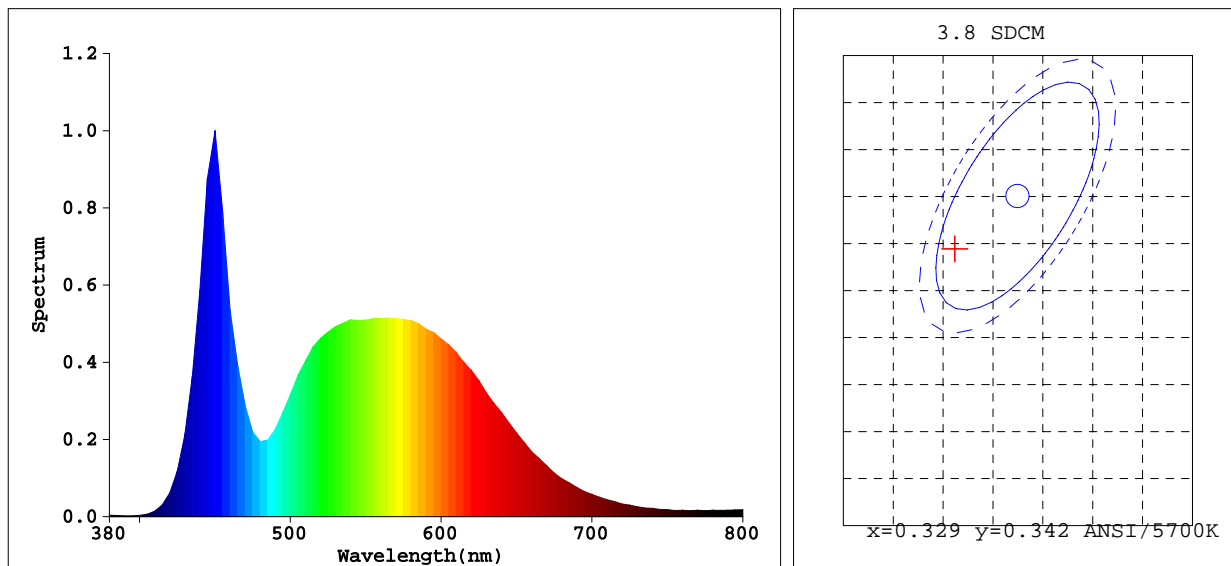
Instrument Status:

Scan Range:380.0nm-800.0nm Interval:5.0nm[0] $I_p=15356$ ($G=5, D=58$)
 REF=32246 ($R=3$) $\% = 0.384\%$ PMT: 25.1 centigrade [150.0]

Product Type:SPVC 25W
 Temperature:25 deg
 Test Operator:SGD LTD
 Software:V3.00.135

Manufacturer:SGD LTD
 Test Department:SGD LTD
 Humidity:65.0%
 Test Date:2025-06-17 19:57:15
 Instrument:PMS-80_V1 (SN:11070038)

Light Source Test Report



Color Parameters:

Chromaticity Coordinate: $x=0.3236$ $y=0.3375$
 Chromaticity Coordinate: $u'=0.2022$ $v'=0.4744$ ($duv=2.22e-03$)
 Tc=5910K Dominant WL:Ld=497.3nm Purity=3.1% Centroid WL:545.0nm
 Ratio:R=15.3% G=80.5% B=4.3% Peak WL:Lp=450.0nm HWL:23.2nm
 Render Index:Ra=81.2
 R1 =80 R2 =84 R3 =87 R4 =83 R5 =81 R6 =79 R7 =87
 R8 =70 R9 =7 R10=62 R11=82 R12=58 R13=81 R14=93 R15=76

Photo Parameters:

Flux: 2977.7 lm Fe: 9.5495 W Efficacy:140.0 lm/W

Electrical Parameters:

Luminaire: U=0V I=0A P=0W PF=1.000
 Lamp : U=78.77V I=0.2700A P=21.27W PF=1.000

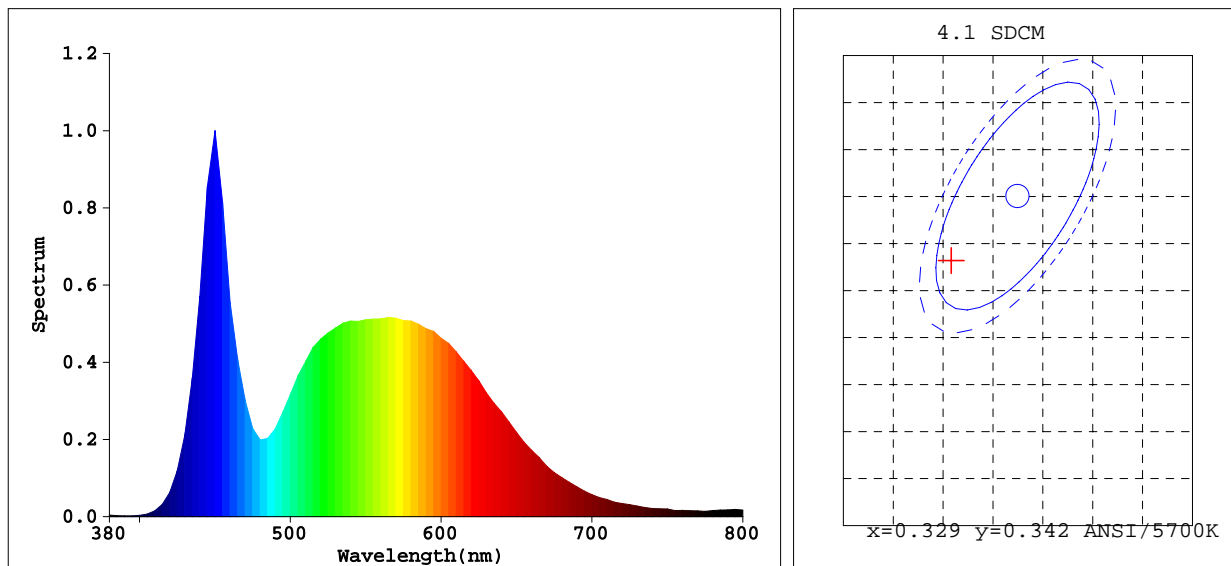
Instrument Status:

Scan Range:380.0nm-800.0nm Interval:5.0nm[0] Ip=43699(G=5,D=58)
 REF=31656(R=3) %=0.130% PMT: 25.1 centigrade [150.0]

Product Type:SPVC 25W
 Temperature:25 deg
 Test Operator:SGD LTD
 Software:V3.00.135

Manufacturer:SGD LTD
 Test Department:SGD LTD
 Humidity:65.0%
 Test Date:2025-06-17 19:59:48
 Instrument:PMS-80_V1 (SN:11070038)

Light Source Test Report



Color Parameters:

Chromaticity Coordinate: x=0.3233 y=0.3365

Chromaticity Coordinate: u'=0.2023 v'=0.4738 (duv=1.83e-03)

Tc=5927K Dominant WL:Ld=495.8nm Purity=3.2% Centroid WL:545.0nm

Ratio: R=15.3% G=80.3% B=4.3% Peak WL:Lp=450.0nm HWL:23.6nm

Render Index: Ra=81.6

R1 =80 R2 =85 R3 =87 R4 =83 R5 =81 R6 =79 R7 =87

R8 =70 R9 =8 R10=63 R11=82 R12=58 R13=81 R14=93 R15=76

Photo Parameters:

Flux: 2959.3 lm Fe: 9.5230 W Efficacy:139.2 lm/W

Electrical Parameters:

Luminaire: U=0V I=0A P=0W PF=1.000

Lamp : U=78.75V I=0.2700A P=21.26W PF=1.000

Instrument Status:

Scan Range:380.0nm-800.0nm Interval:5.0nm[0]

REF=31460(R=3)

%=0.188%

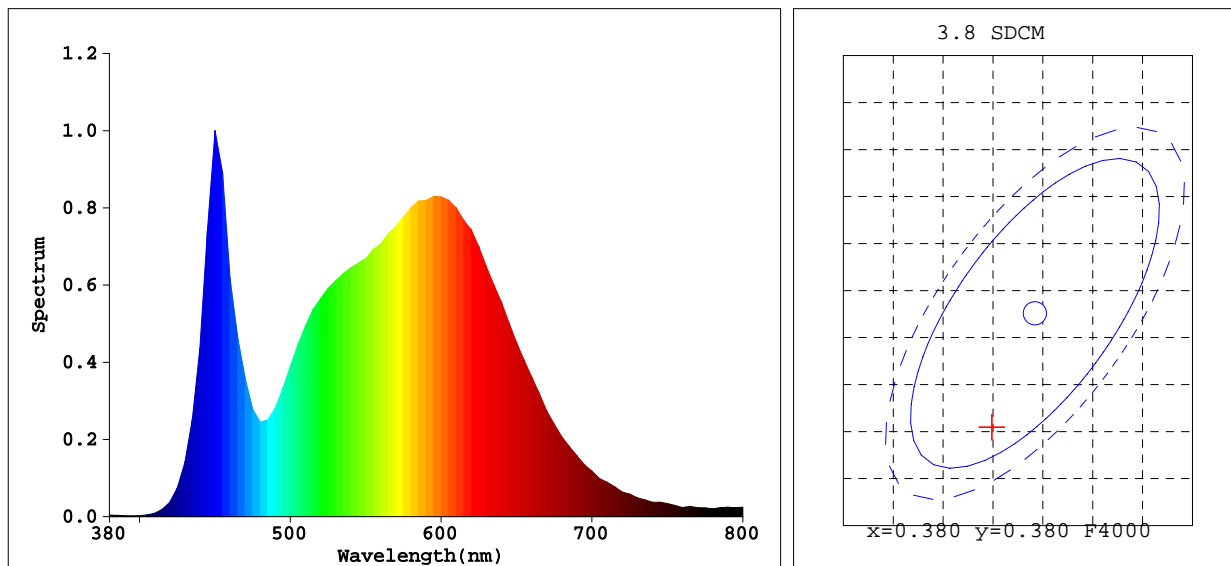
Ip=43572(G=5,D=58)

PMT: 25.1 centigrade [150.0]

Product Type:SPVC 25W
 Temperature:25 deg
 Test Operator:SGD LTD
 Software:V3.00.135

Manufacturer:SGD LTD
 Test Department:SGD LTD
 Humidity:65.0%
 Test Date:2025-06-17 20:04:55
 Instrument:PMS-80_V1 (SN:11070038)

Light Source Test Report



Color Parameters:

Chromaticity Coordinate: $x=0.3763$ $y=0.3703$

Chromaticity Coordinate: $u'=0.2250$ $v'=0.4981$ ($duv=-1.84e-03$)

Tc=4068K Dominant WL:Ld=579.9nm Purity=24.0% Centroid WL:570.0nm

Ratio:R=20.0% G=76.6% B=3.3% Peak WL:Lp=450.0nm HWL:22.8nm

Render Index:Ra=84.7

R1 =84 R2 =90 R3 =94 R4 =84 R5 =84 R6 =86 R7 =87

R8 =69 R9 =19 R10=76 R11=83 R12=63 R13=86 R14=97 R15=79

Photo Parameters:

Flux: 3274.3 lm Fe: 10.211 W Efficacy:161.3 lm/W

Electrical Parameters:

Luminaire: U=0V I=0A P=0W PF=1.000

Lamp : U=75.20V I=0.2700A P=20.30W PF=1.000

Instrument Status:

Scan Range:380.0nm-800.0nm Interval:5.0nm[0]

REF=35049(R=3)

%=0.330%

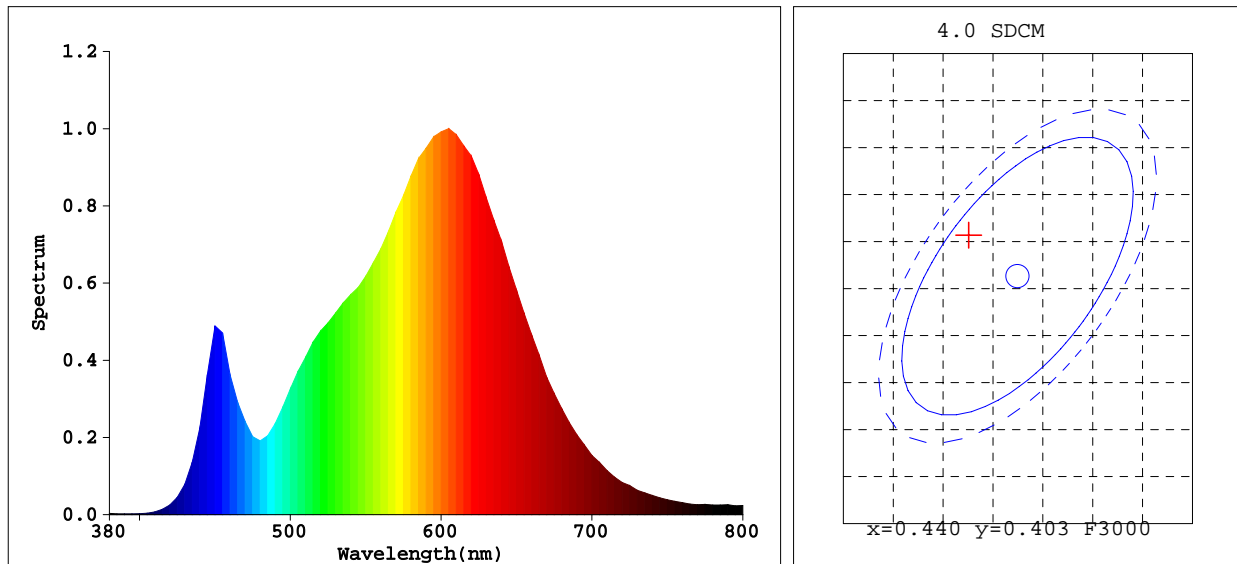
$I_p=33311(G=5, D=58)$

PMT: 25.3 centigrade [150.0]

Product Type:SPVC 25W
 Temperature:25 deg
 Test Operator: SGD LTD
 Software:V3.00.135

Manufacturer:SGD LTD
 Test Department:SGD LTD
 Humidity:65.0%
 Test Date:2025-06-17 20:08:34
 Instrument:PMS-80_V1 (SN:11070038)

Light Source Test Report



Color Parameters:

Chromaticity Coordinate: $x=0.4358$ $y=0.4065$

Chromaticity Coordinate: $u'=0.2488$ $v'=0.5222$ ($duv=1.14e-03$)

Tc=3039K Dominant WL:Ld=582.3nm Purity=52.8% Centroid WL:589.0nm

Ratio:R=24.3% G=73.4% B=2.3% Peak WL:Lp=605.0nm HWL:131.2nm

Render Index:Ra=82.7

R1 =81 R2 =90 R3 =97 R4 =81 R5 =81 R6 =88 R7 =83

R8 =59 R9 =7 R10=78 R11=80 R12=70 R13=83 R14=99 R15=73

Photo Parameters:

Flux: 2870.3 lm Fe: 8.7239 W Efficacy:135.9 lm/W

Electrical Parameters:

Luminaire: U=0V I=0A P=0W PF=1.000

Lamp : U=78.20V I=0.2700A P=21.11W PF=1.000

Instrument Status:

Scan Range:380.0nm-800.0nm Interval:5.0nm[0]

REF=30953(R=3)

%=0.231%

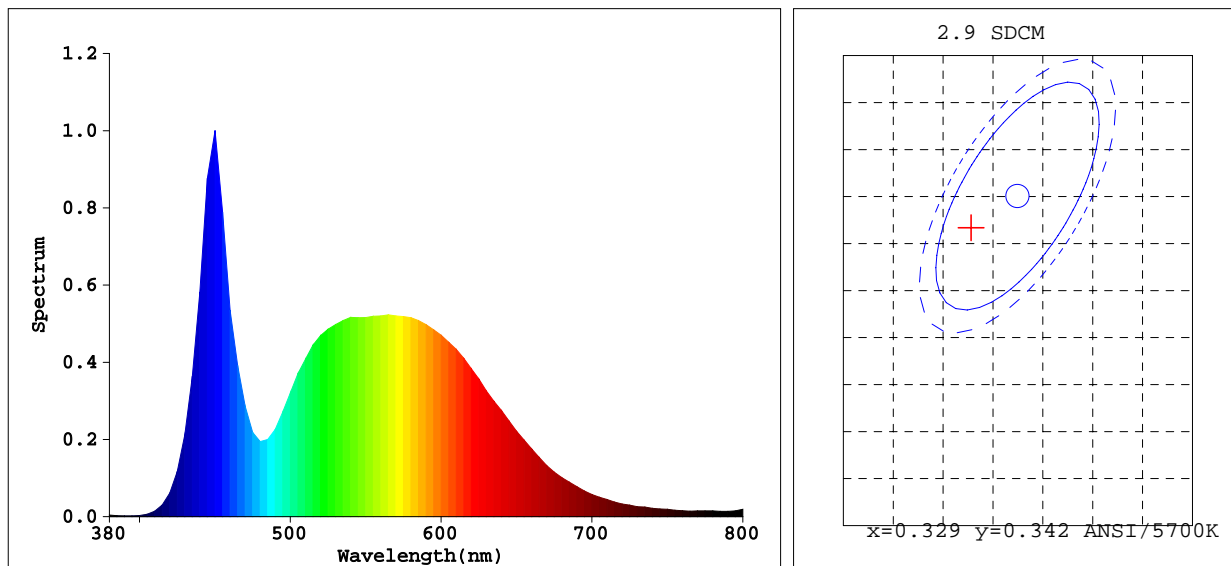
$I_p=14895(G=5, D=58)$

PMT: 25.4 centigrade [150.0]

Product Type:SPVC 25W
 Temperature:25 deg
 Test Operator:SGD LTD
 Software:V3.00.135

Manufacturer:SGD LTD
 Test Department:SGD LTD
 Humidity:65.0%
 Test Date:2025-06-17 20:10:51
 Instrument:PMS-80_V1 (SN:11070038)

Light Source Test Report



Color Parameters:

Chromaticity Coordinate: $x=0.3250$ $y=0.3393$
 Chromaticity Coordinate: $u'=0.2024$ $v'=0.4755$ ($duv=2.48e-03$)
 Tc=5839K Dominant WL:Ld=501.2nm Purity=2.5% Centroid WL:546.0nm
 Ratio:R=15.3% G=80.5% B=4.2% Peak WL:Lp=450.0nm HWL:23.1nm
 Render Index:Ra=81.1
 R1 =80 R2 =84 R3 =87 R4 =82 R5 =81 R6 =79 R7 =87
 R8 =69 R9 =6 R10=62 R11=82 R12=58 R13=81 R14=93 R15=75

Photo Parameters:

Flux: 3037.3 lm Fe: 9.7013 W Efficacy:142.2 lm/W

Electrical Parameters:

Luminaire: U=0V I=0A P=0W PF=1.000
 Lamp : U=79.10V I=0.2700A P=21.36W PF=1.000

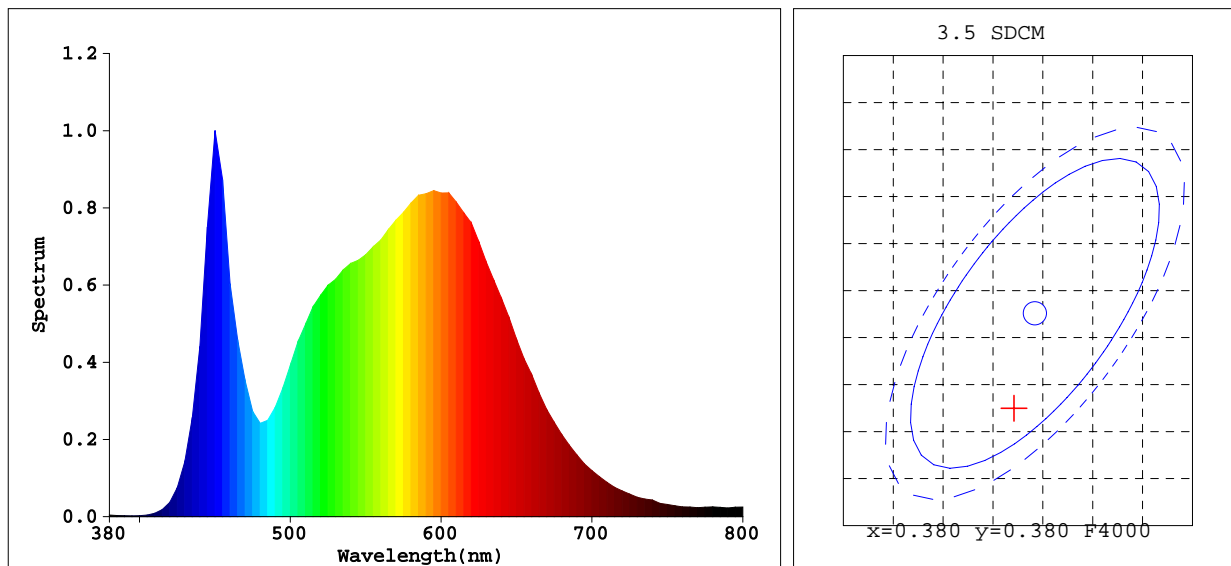
Instrument Status:

Scan Range:380.0nm-800.0nm Interval:5.0nm[0] Ip=43945(G=5,D=60)
 REF=32292(R=3) %=0.340% PMT: 25.8 centigrade [150.0]

Product Type:SPVC 25W
 Temperature:25 deg
 Test Operator:SGD LTD
 Software:V3.00.135

Manufacturer:SGD LTD
 Test Department:SGD LTD
 Humidity:65.0%
 Test Date:2025-06-17 20:38:35
 Instrument:PMS-80_V1 (SN:11070038)

Light Source Test Report



Color Parameters:

Chromaticity Coordinate: $x=0.3782$ $y=0.3719$

Chromaticity Coordinate: $u'=0.2256$ $v'=0.4991$ ($duv=-1.60e-03$)

Tc=4026K Dominant WL:Ld=579.9nm Purity=25.1% Centroid WL:570.0nm

Ratio:R=20.1% G=76.6% B=3.3% Peak WL:Lp=450.0nm HWL:22.6nm

Render Index:Ra=84.6

R1 =84 R2 =90 R3 =94 R4 =84 R5 =84 R6 =86 R7 =87

R8 =68 R9 =18 R10=76 R11=83 R12=63 R13=85 R14=97 R15=79

Photo Parameters:

Flux: 3301.6 lm Fe: 10.264 W Efficacy:162.4 lm/W

Electrical Parameters:

Luminaire: U=0V I=0A P=0W PF=1.000

Lamp : U=75.30V I=0.2700A P=20.33W PF=1.000

Instrument Status:

Scan Range:380.0nm-800.0nm Interval:5.0nm[0]

REF=35348(R=3)

%=0.276%

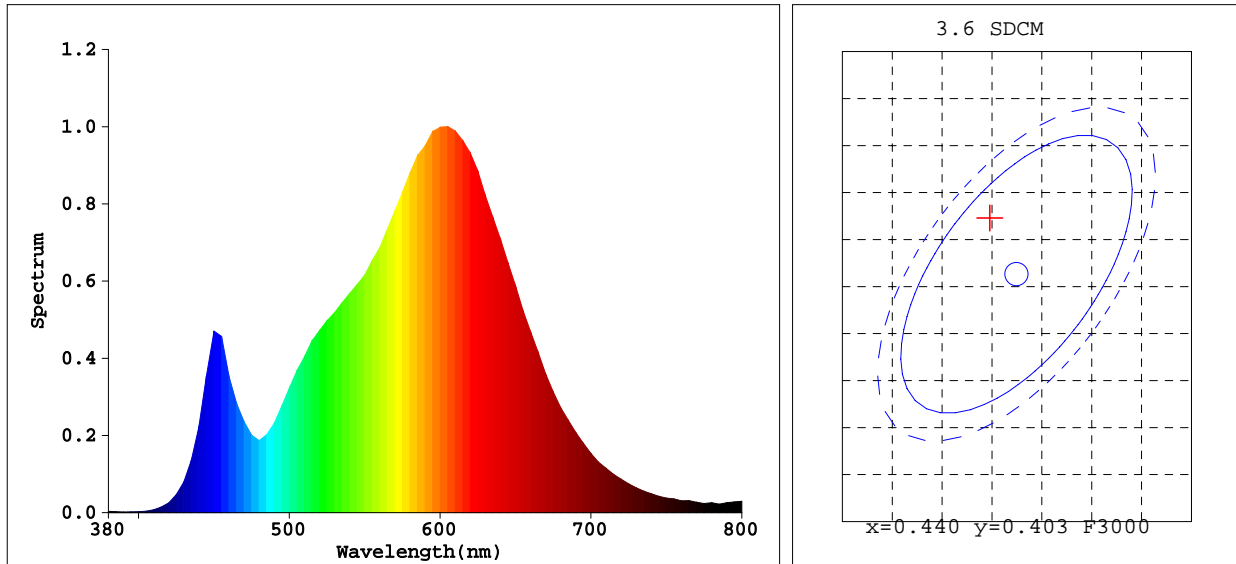
$I_p=33079$ (G=5,D=59)

PMT: 25.9 centigrade [150.0]

Product Type:SPVC 25W
 Temperature:25 deg
 Test Operator:SGD LTD
 Software:V3.00.135

Manufacturer:SGD LTD
 Test Department:SGD LTD
 Humidity:65.0%
 Test Date:2025-06-17 20:41:41
 Instrument:PMS-80_V1 (SN:11070038)

Light Source Test Report



Color Parameters:

Chromaticity Coordinate: $x=0.4377$ $y=0.4078$

Chromaticity Coordinate: $u'=0.2495$ $v'=0.5230$ ($duv=1.38e-03$)

Tc=3017K Dominant WL:Ld=582.3nm Purity=53.8% Centroid WL:589.0nm

Ratio:R=24.4% G=73.3% B=2.2% Peak WL:Lp=605.0nm HWL:131.3nm

Render Index:Ra=82.5

R1 =81 R2 =90 R3 =97 R4 =81 R5 =81 R6 =88 R7 =83

R8 =59 R9 =6 R10=78 R11=80 R12=70 R13=83 R14=99 R15=73

Photo Parameters:

Flux: 2985.9 lm Fe: 9.0622 W Efficacy:140.9 lm/W

Electrical Parameters:

Luminaire: U=0V I=0A P=0W PF=1.000

Lamp : U=78.50V I=0.2700A P=21.19W PF=1.000

Instrument Status:

Scan Range:380.0nm-800.0nm Interval:5.0nm[0]

REF=32203(R=3)

%=0.122%

$I_p=15553(G=5, D=58)$

PMT: 26.1 centigrade [150.0]

Product Type:SPVC 25W
 Temperature:25 deg
 Test Operator:SGD LTD
 Software:V3.00.135

Manufacturer:SGD LTD
 Test Department:SGD LTD
 Humidity:65.0%
 Test Date:2025-06-17 20:44:33
 Instrument:PMS-80_V1 (SN:11070038)



EU DECLARATION OF CONFORMITY

Manufacturers Name: Solas Geal Distribution
Unit 7/8 Ashbourne Business Centre, Ballybin Road, Ashbourne, Co. Meath, A84 YP58.

This declaration of conformity is issued under the sole responsibility of the manufacturer.

Product Description:

25W LED CCT IP44 DIMMABLE PVC DOWNLIGHT

Product Code:

SPVC 25W DIM-CCT

The product/model of the declaration described above is in conformity with the relevant Community harmonisation legislation.

Low Voltage Directive (2014/35/EU)

LVD (2014/35/EU) (amendment 2019/1956)

RoHS Directive (EU 2015/863 -2011/65/EU)

EMC Directive (2014/30/EU)

(EU) 2019/2015 Regulation on Energy Labelling for Light Sources.

(EU) 2019/2020 Ecodesign Requirements for Light Sources and Separate Control Gears

The product/model of the declaration described above is in conformity with the standards and technical specifications listed below:

EN IEC 55015:2019+A11:2020, EN 61547:2009, EN IEC 61000-3-2:2019+A1:2021,
EN 61000-3-3:2013+A1:2019+A2:2021, EN 60598-2-2:2012, EN IEC 60598-1:2021 + A11:2022,
EN 62493:2015+A1:2022



Signed:

Date: 3/7/25

Place of Issue: Republic of Ireland

